



|      |       |    |
|------|-------|----|
|      | ..... | 1  |
|      | ..... | 1  |
|      | ..... |    |
| 1-1  | ..... |    |
| 1-1  | ..... |    |
| 1-   | ..... |    |
| 1-   | ..... |    |
| 1-   | ..... |    |
| 1-   | ..... | 11 |
| 1-   | ..... | 1  |
| 1-   | ..... | 1  |
| 1-   | ..... | 1  |
| 1-   | ..... | 1  |
| 1-10 | ..... | 1  |
| 1-11 | ..... |    |
| 1-1  | ..... |    |
| 1-1  | ..... |    |
| 1-1  | ..... |    |
| 1-1  | ..... |    |
| 1-1  | ..... | 0  |
| 1-1  | ..... |    |
| 1-1  | ..... |    |
|      | ..... |    |
|      | ..... |    |
| -1   | ..... |    |
| -1   | ..... |    |
| -    | ..... | 0  |
| -    | ..... | 1  |
| -    | ..... |    |
| -    | ..... |    |
| -    | ..... |    |
| -    | ..... |    |
| -    | ..... | 1  |
| -10  | ..... |    |
| -11  | ..... |    |
| -1   | ..... |    |
| -1   | ..... |    |
| -1   | ..... | 1  |
| -1   | ..... |    |
| -1   | ..... |    |
| -1   | ..... |    |
| -1   | ..... |    |
|      | ..... | 0  |



[ 2014] 55

- 1.
- 2.
- 3.
- 4.

--

--

|  |  | 1-1 | 1 | 1-1 | 1-1 |
|--|--|-----|---|-----|-----|
|  |  | -1  | 1 | -1  | -1  |
|  |  | -1  | 1 | -1  | -1  |

1

I/O

C

/

Kei I C

2

1

/ /

Kei I C

MCU

/ /

2

6S ( )

/

3

120

4

|    |  |    |   |   |
|----|--|----|---|---|
|    |  |    |   |   |
|    |  |    |   |   |
| 20 |  | 10 | 0 |   |
|    |  |    |   | 1 |
|    |  |    |   | 2 |
|    |  | 10 |   | 3 |
|    |  |    |   | 4 |
|    |  |    | 5 |   |

10

5

30

1



2

PCB

E

3

1



2

PCB  
E

3

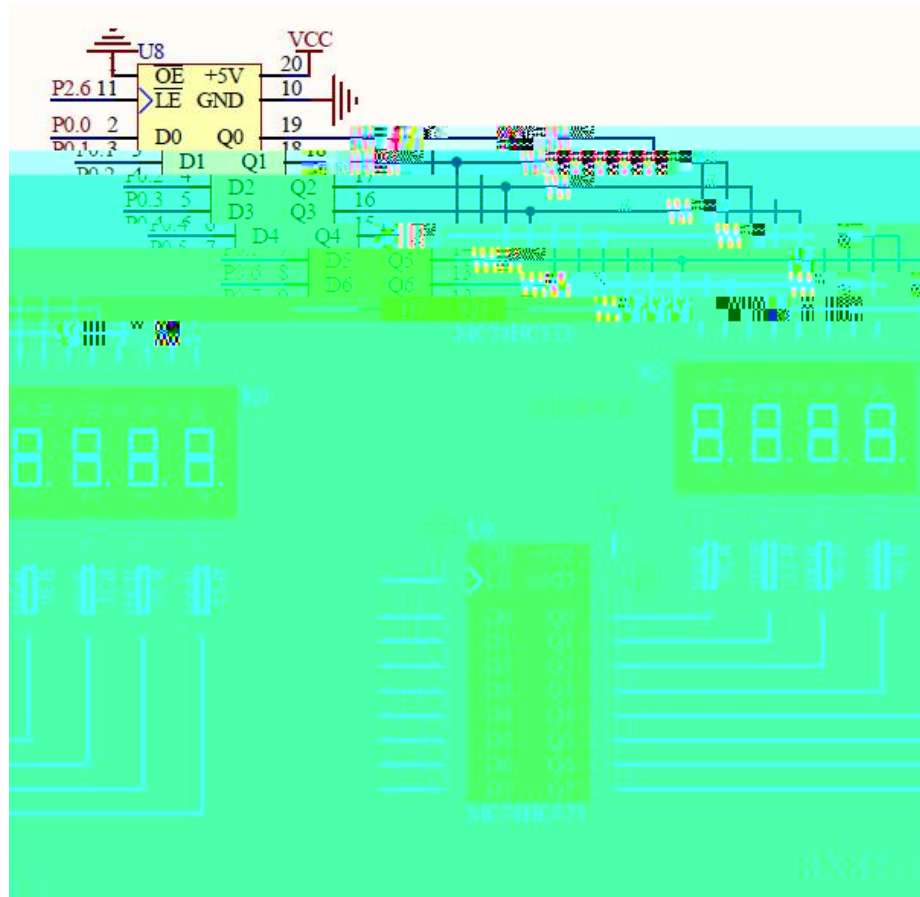








1



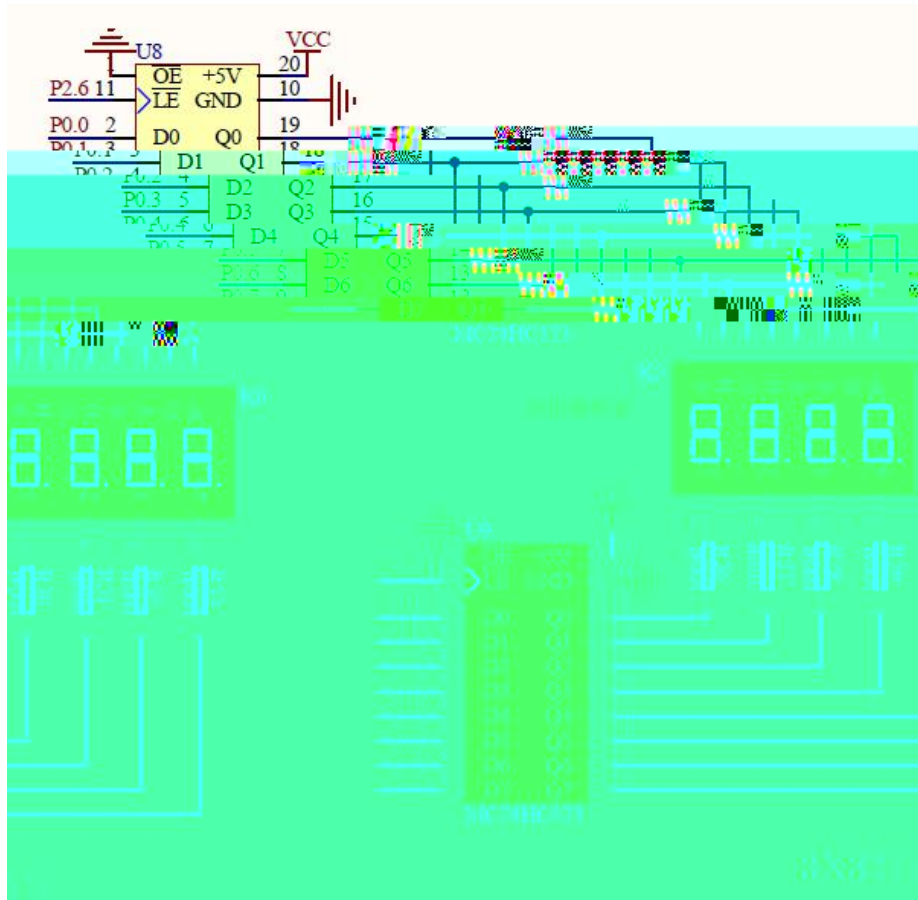
2

PCB  
E

3



1



2

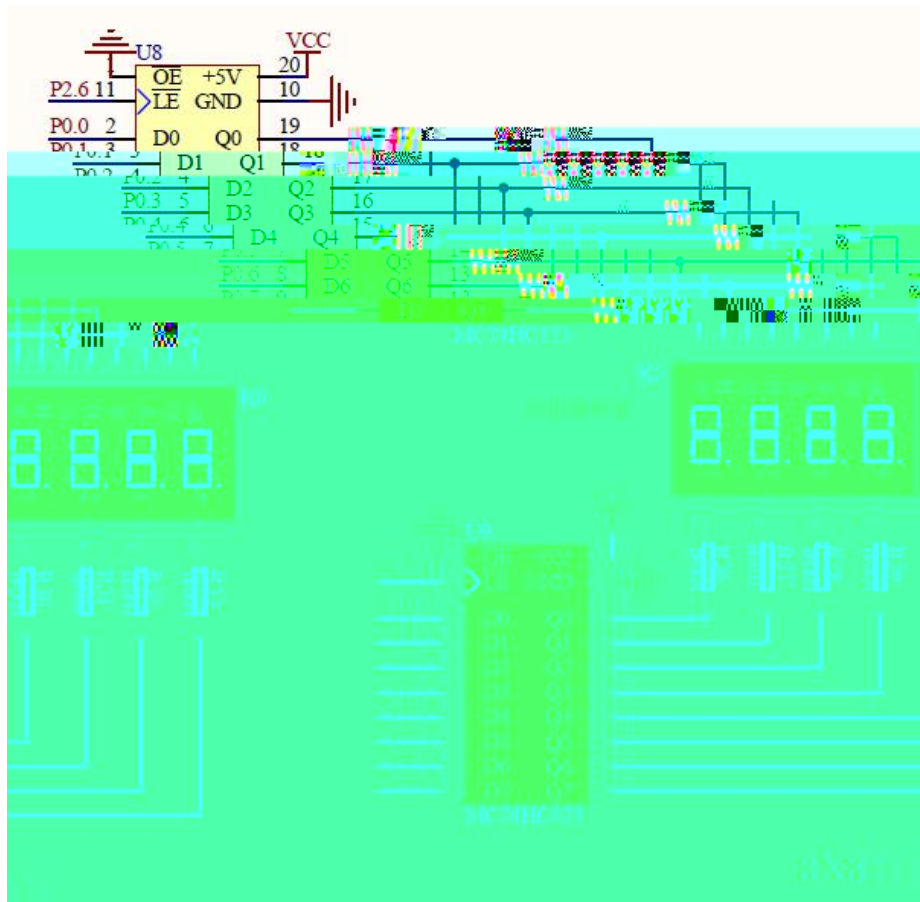
PCB

E

3



1



2

PCB

E

3









1

K1 8



流水灯

2

PCB  
E

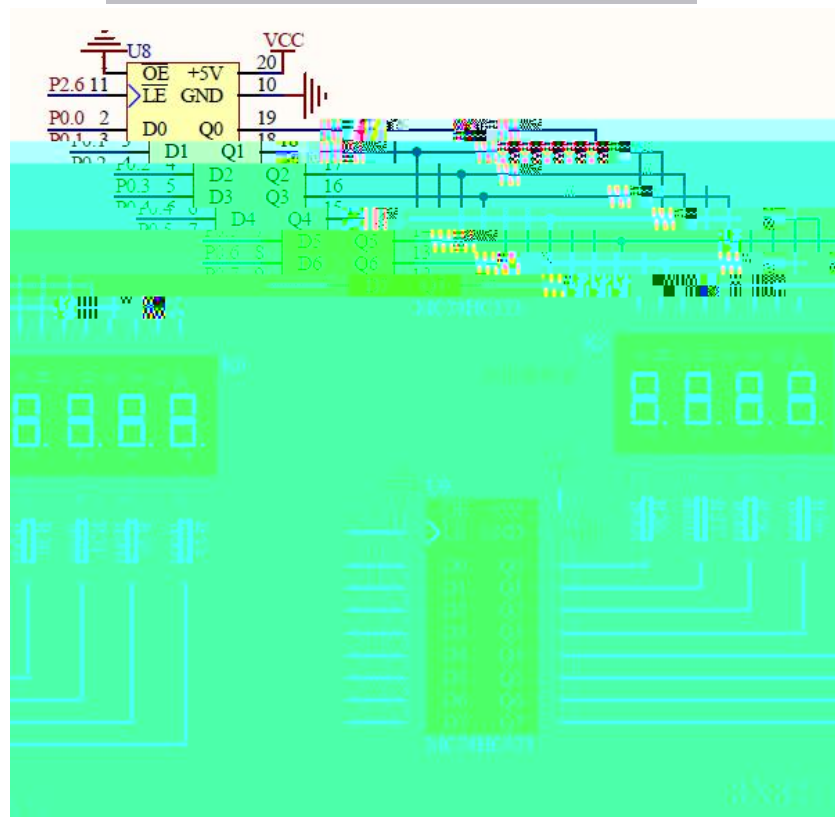
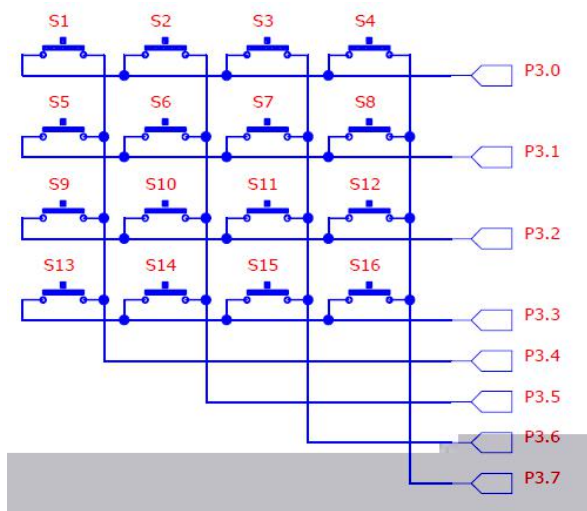
3



1

S1-S16

O-F



2

PCB

E

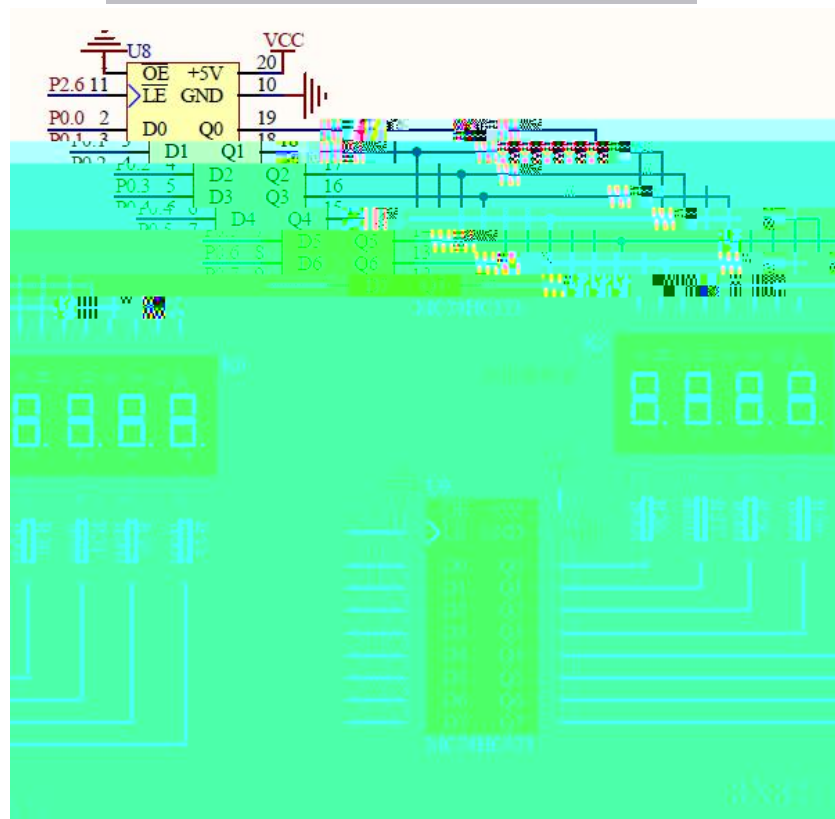
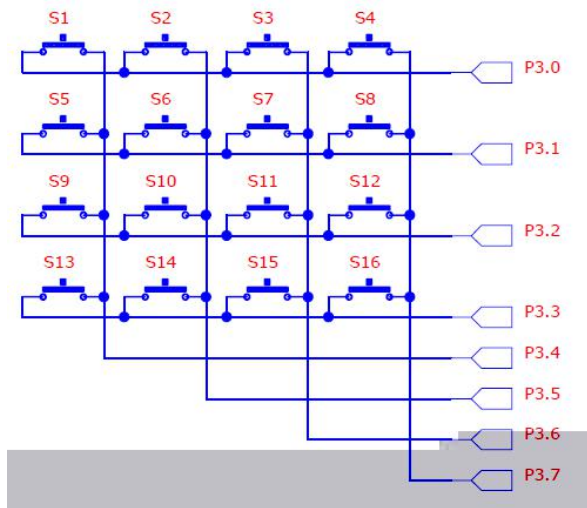
3

1

P3.2

1

9 0





2

PCB

E

3

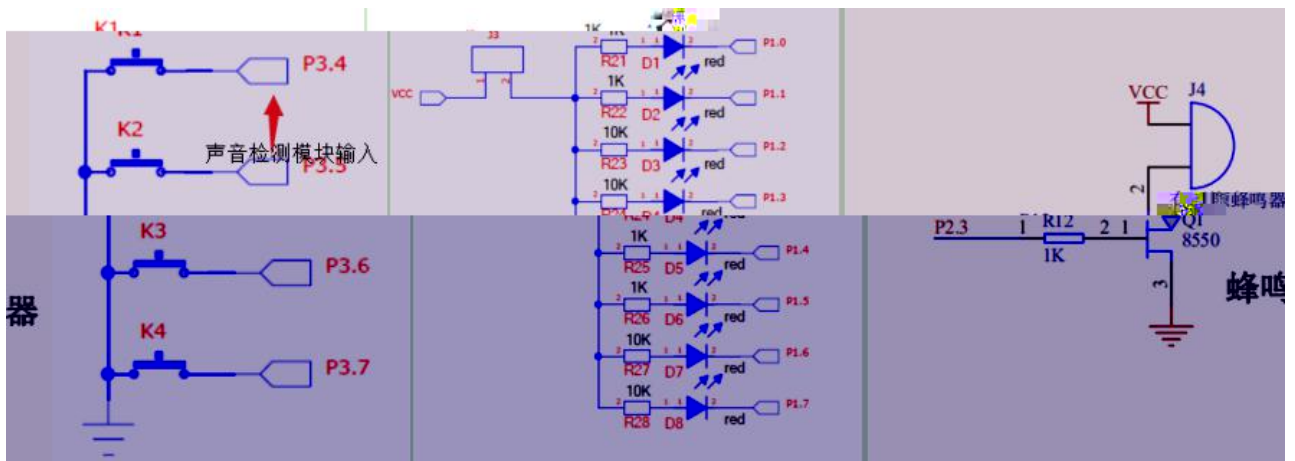
1

P3.4

1

P3.4

D1



1

2

PCB

E

3

1

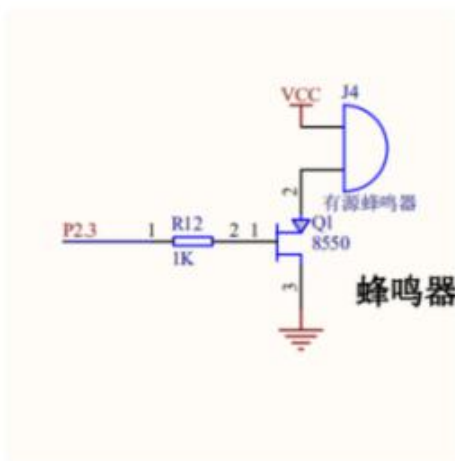
P3.7

1

P3.7



天然气检测装置信号输



1

2

PCB

E

3



1

1

K1

D1

K2

D2



1

2

PCB

E

3

1

1

K1

K2 K3 K4

K1

" 1"



2

PCB

E

3



1

2



2

PCB

E

3



1

1

P3.6

P3.6



1

2

PCB

E

3

0



1

0.5S 0.5S



2

PCB

E

3



1

K1

D1-D4

K2

D5-D8



2

PCB

E

3



1

/ /

1

/ /

/ /

( )

/

1 0

|    |  |    |   |  |   |
|----|--|----|---|--|---|
|    |  |    |   |  |   |
|    |  |    |   |  |   |
| 20 |  | 10 |   |  | 0 |
|    |  | 10 | 1 |  |   |
|    |  | 10 | 2 |  |   |
|    |  |    | 3 |  |   |

|    |  |    |             |     |
|----|--|----|-------------|-----|
|    |  |    | 4           |     |
|    |  |    | 5           |     |
| 30 |  | 10 |             |     |
|    |  | 5  |             |     |
|    |  | 5  |             |     |
|    |  | 10 |             |     |
| 50 |  | 5  |             |     |
|    |  | 5  | 1<br>2      | PCB |
|    |  | 10 |             |     |
|    |  | 15 | 1<br>2<br>3 |     |
|    |  | 15 |             |     |

5

18



1



2

3



1



2

3

1



2

3

1



2

3



1



2



3





1

|    |  |   |    |
|----|--|---|----|
| 1  | VBAT   | VDD                                       | 64 |
| 2  | PC13/ANT1                                    | VSS                                       | 63 |
| 3  | PC14/OSC32                                   | PB9/TIM4_CH4/SDIO_D5                      | 62 |
| 4  | PC15/OSC32                                   | PB8/TIM4_CH3/SDIO_D4                      | 61 |
| 5  | PD0/OSCIN                                    |   | 60 |
| 6  | PD1/OSCOUT                                   | BP7/I2C1_SCL/TIM4_CH2                     | 59 |
| 7  | NRES   | PB6/I2C1_SCL/TIM4_CH1                     | 58 |
| 8  | PC0/ADC10                                    | PB5/I2C1_SMB4/SPI3_MOSI/I2S3_SD           | 57 |
| 9  | PC1/ADC11                                    | PB4/JNTRST/SPI3_MISO                      | 56 |
| 10 | PC2/ADC12                                    | PB3/JTDO/SPI3_SCK/I2S3_CK                 | 55 |
| 11 | PC3/ADC13                                    | PC2/U5_RX/TIM3_ETR/SDIO_CMD               | 54 |
| 12 | VSSA   | PC12/U5_TX/SDIO_CK                        | 53 |
| 13 | VDDA   | PC11/U4_RX/SDIO_D3                        | 52 |
| 14 | PA0/WKUP/ADC0/TIM2_CH1_ETR/TIM5_CH1/TIM8_ETR | PC10/U4_TX/SDIO_D2                        | 51 |
| 15 | PA1/ADC1/TIM2_CH2/TIM5_CH2                   | PA15/JTDI/SPI3_NSS/I2S3_WS                | 50 |
| 16 | PA2/U2_TX/ADC2/TIM2_CH3/TIM5_CH3             | PA14/JTCK/SWCLK                           | 49 |
| 17 | PA3/U2_RX/ADC3/TIM2_CH4/TIM5_CH4             | VDD                                       | 48 |
| 18 | VSS  | VSS                                       | 47 |
| 19 | VDD  | PA13/JTMS/SWDIO                           | 46 |
| 20 | PA1/SPI1_NSS/ADC4/DAC1                       | PA12/CAN_TX/USBDP_TDM1_ETR                | 45 |
| 21 | PA5/SPI1_SCK/ADC5/DAC2                       | PA11/CAN_RX/USBDP_TDM1_CH4                | 44 |
| 22 | PA6/SPI1_MISO/ADC6/TIM2_CH1/TIM8_BKIN        | PA10/J1_RX/TIM1_CH3                       | 43 |
| 23 | PA7/SPI1_MOSI/ADC7/TIM2_CH2/TIM8_CH1N        | PA9/J1_TX/TIM1_CH2                        | 42 |
| 24 | PC4/ADC14                                    | PA8/TIM1_CH1/MCO                          | 41 |
| 25 | PC5/ADC15                                    | PC7/TIM9_CH4/SOIO_D1                      | 40 |
| 26 | PB9/ADC8/TIM3_CH2/TIM2_CH2N                  | PC6/TIM9_CH3/SOIO_D0                      | 39 |
| 27 | PE1/ADC9/TIM3_CH4/TIM2_CH2N                  | PC1/I2S3_MCK/TIM9_CH3/SOIO_D7             | 38 |
| 28 | PB2/BOOT1                                    | PC0/I2S3_MCK/TIM9_CH1/SOIO_D8             | 37 |
| 29 | PB10/U5_TX/I2C2_SCL                          | PB15/SPI2_MOSI/I2S2_SD/TIM7_CH1N          | 36 |
| 30 | PB11/U5_RX/I2C2_SDA                          | PB14/SPI2_MISO/TIM7_CH2N                  | 35 |
| 31 | VSS  | PB13/SPI2_SCK/I2S2_CK/TIM7_CH1N           | 34 |
| 32 | VDD  | PB12/SPI2_NSS/I2S2_WS/I2C2_SMB4/TIM7_BKIN | 33 |

2

3



1



2

3

1

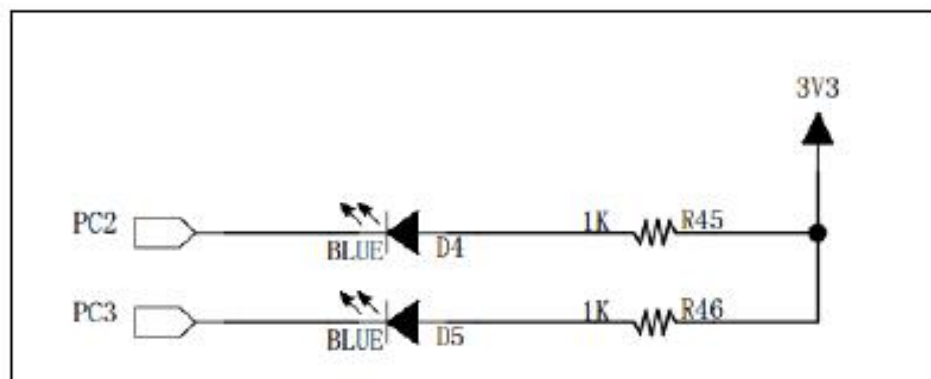
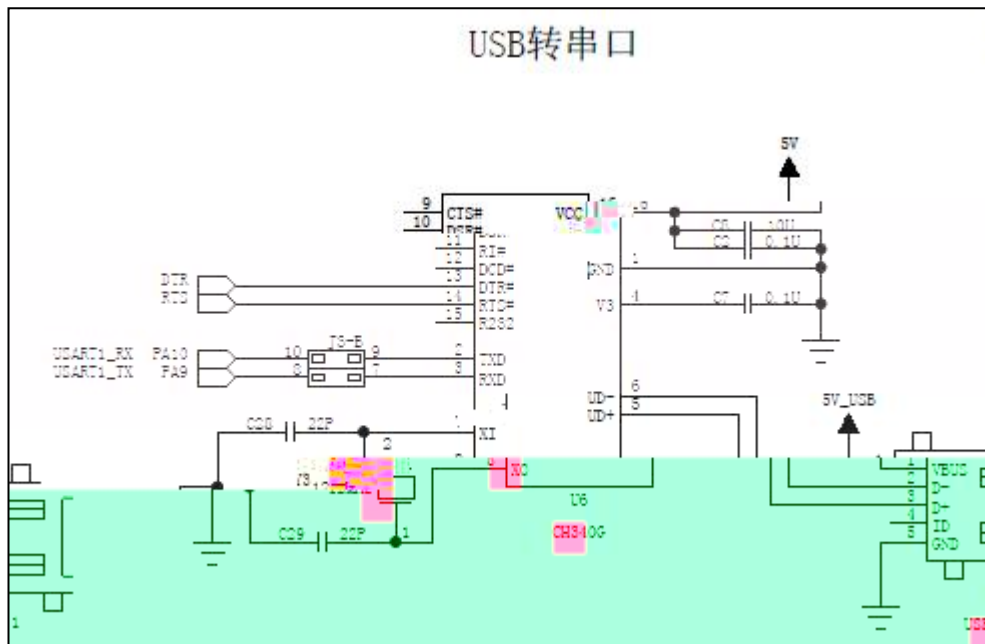
|    |  |                      |    |
|----|--|----------------------|----|
| 1  | VBAT   | VDD                  | 64 |
| 2  | PC13/ANT1                                    | VSS                  | 63 |
| 3  | PC14/OSC32                                   | PB9/TIM4_CH4/SDIO_D5 | 62 |
| 4  | PC15/OSC32                                   | PB8/TIM4_CH3/SDIO_D4 | 61 |
| 5  | PD0/OSCIN                                    |                      |    |
| 6  | PD1/OSCOUT                                   |                      |    |
| 7  | NRES   |                      |    |
| 8  | PC0 ADC10                                    |                      |    |
| 9  | PC1 ADC11                                    |                      |    |
| 10 | PC2 ADC12                                    |                      |    |
| 11 | PC3 ADC13                                    |                      |    |
| 12 | VSSA   |                      |    |
| 13 | VDDA   |                      |    |
| 14 | PA0 WKUP ADC0-TIM2_CH1 ETR-TIM5_CH1-TIM8_ETR |                      |    |
| 15 | PA1 ADC1-TIM2_CH2-TIM5_CH2                   |                      |    |
| 16 | PA2 I2C1_TX-ADC2-TIM2_CH3-TIM5_CH3           |                      |    |
| 17 | PA3 I2C1_RX-ADC3-TIM2_CH4-TIM5_CH4           |                      |    |
| 18 | VSS  |                      |    |
| 19 | VLD  |                      |    |
| 20 | PA4 SPI1_NSS-ADC4-DAC1                       |                      |    |
| 21 | PA5 SPI1_SCK-ADC5-DAC2                       |                      |    |
| 22 | PA6 SPI1_MISO-ADC6-TIM2_CH1-TIM8_BRKIN       |                      |    |
| 23 | PA7 SPI1_MOSI-ADC7-TIM2_CH2-TIM8_CH1N        |                      |    |
| 24 | PC4 ADC14                                    |                      |    |
| 25 | PC5 ADC15                                    |                      |    |
| 26 | PE0 ADC2-TIM3_CH2-TIM8_CH2N                  |                      |    |
| 27 | PE1 ADC3-TIM3_CH4-TIM8_CH3N                  |                      |    |
| 28 | PB2 BOOT1                                    |                      |    |
| 29 | PE10 I2C3_TX-I2C2_SCL                        |                      |    |
| 30 | PE11 I2C3_RX-I2C2_SDA                        |                      |    |
| 31 | VSS  |                      |    |
| 32 | VLD  |                      |    |
| 33 |  |                      |    |
| 34 |  |                      |    |
| 35 |  |                      |    |
| 36 |  |                      |    |
| 37 |  |                      |    |
| 38 |  |                      |    |
| 39 |  |                      |    |
| 40 |  |                      |    |
| 41 |  |                      |    |
| 42 |  |                      |    |
| 43 |  |                      |    |
| 44 |  |                      |    |
| 45 |  |                      |    |
| 46 |  |                      |    |
| 47 |  |                      |    |
| 48 |  |                      |    |
| 49 |  |                      |    |
| 50 |  |                      |    |
| 51 |  |                      |    |
| 52 |  |                      |    |
| 53 |  |                      |    |
| 54 |  |                      |    |
| 55 |  |                      |    |
| 56 |  |                      |    |
| 57 |  |                      |    |
| 58 |  |                      |    |
| 59 |  |                      |    |
| 60 |  |                      |    |
| 61 |  |                      |    |
| 62 |  |                      |    |
| 63 |  |                      |    |
| 64 |  |                      |    |

2

3



1

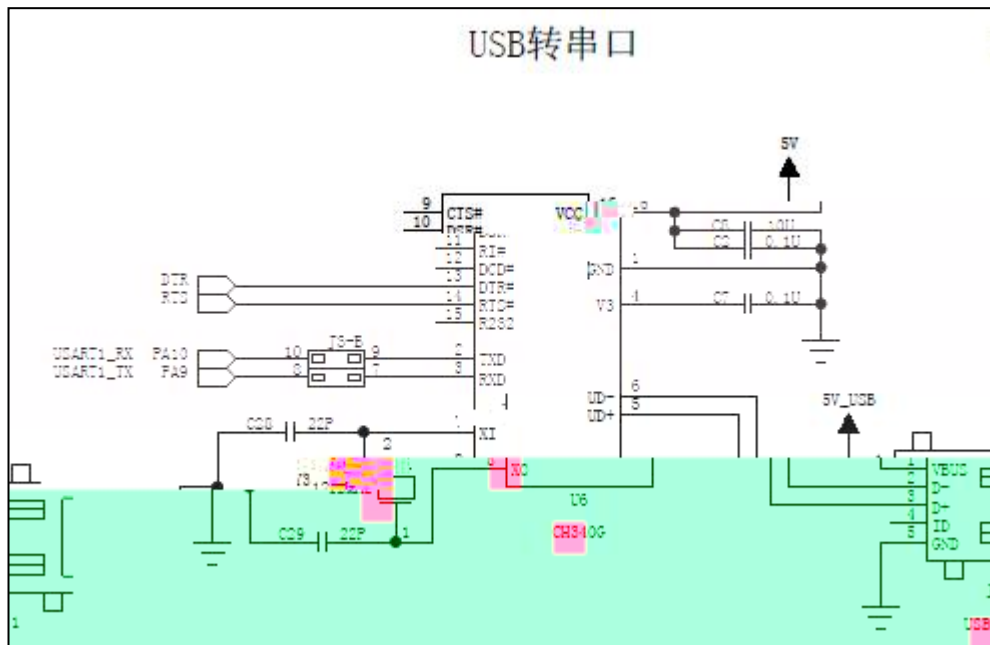


2

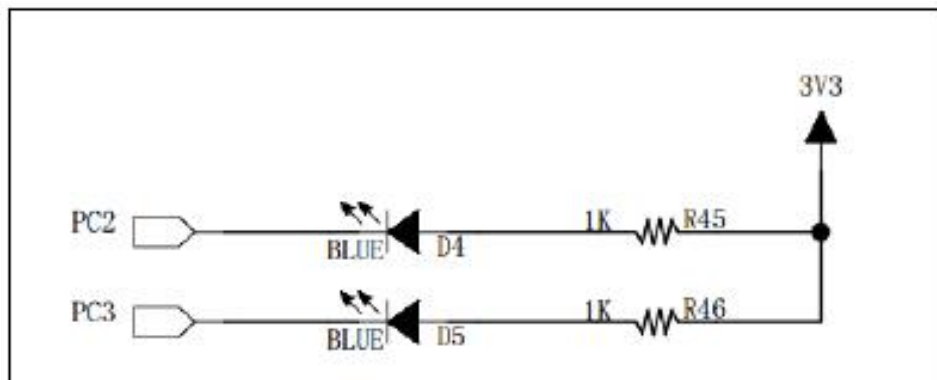
3

-

1



2





3

-





1

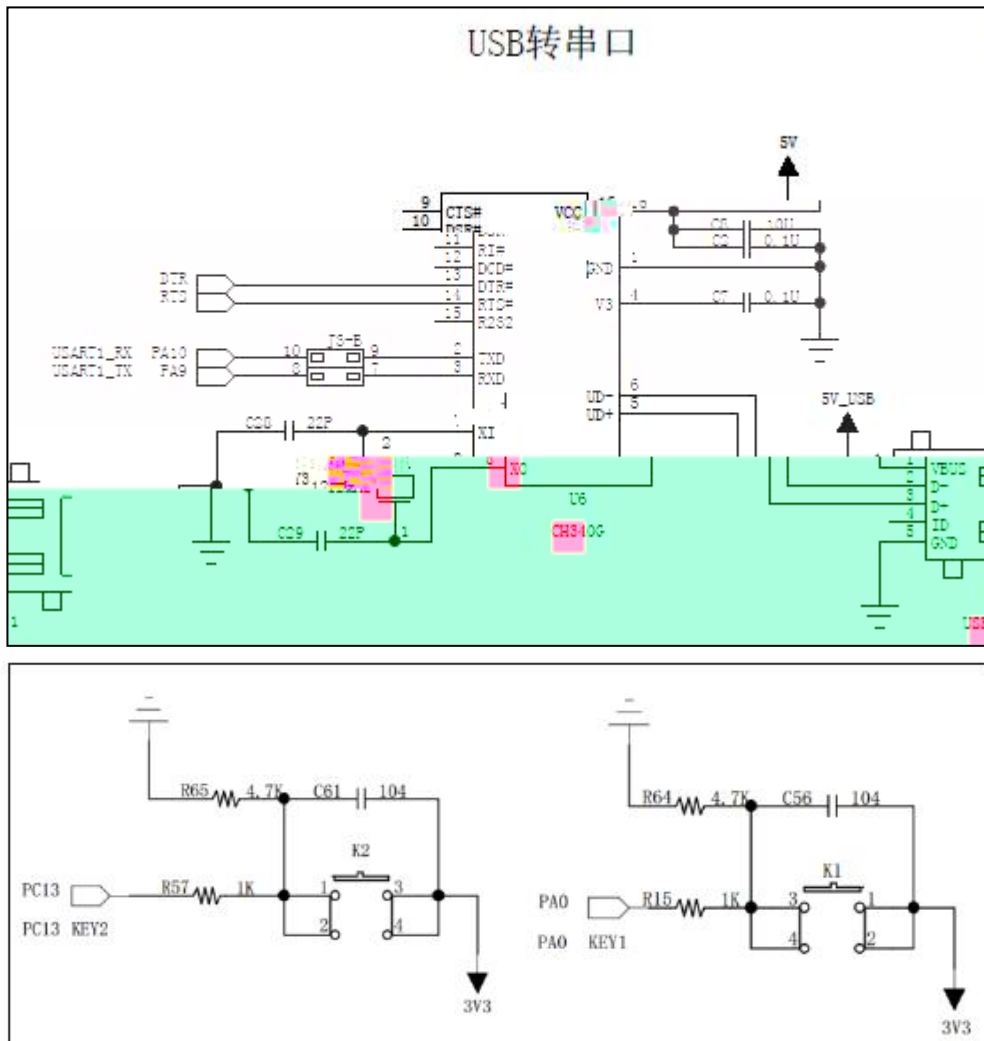


2

3

-

1

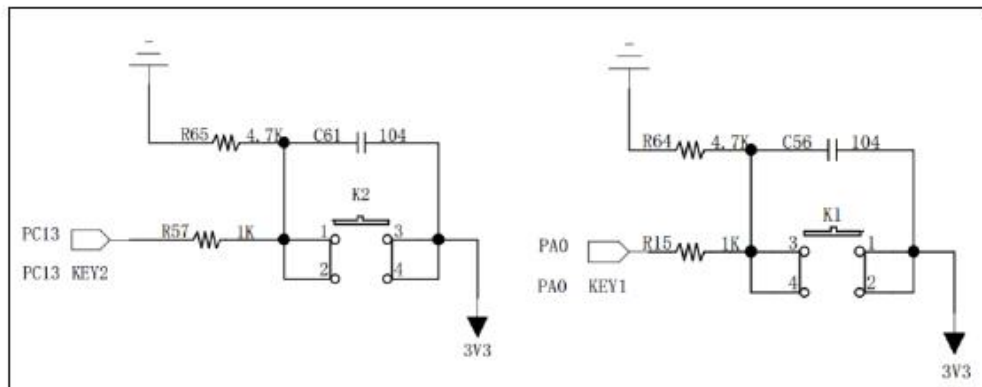
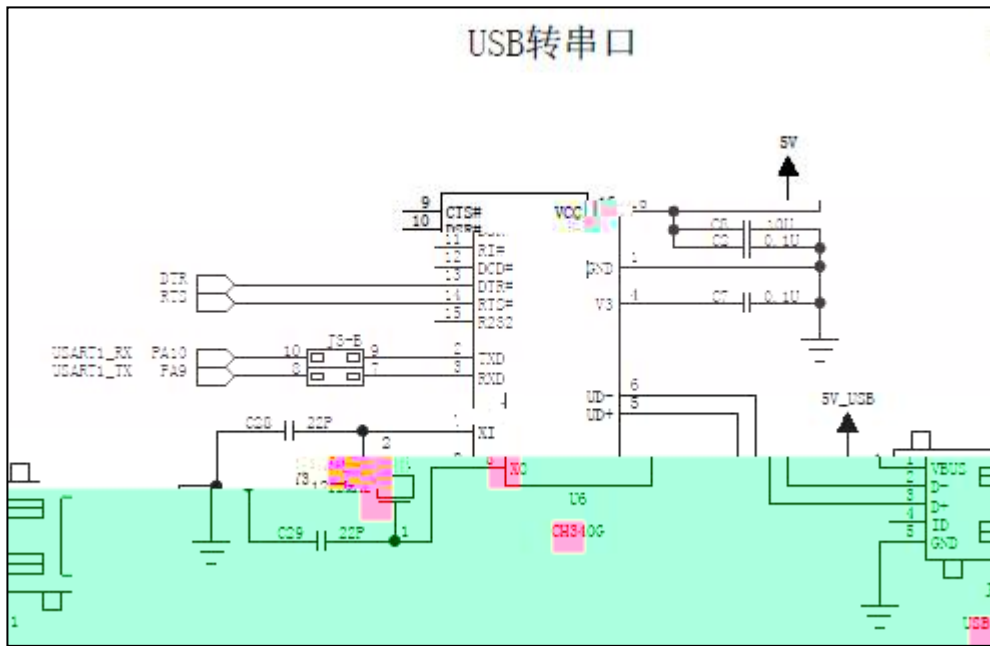


2

3

-

1



2



3

-



2

3

-

1



2

3

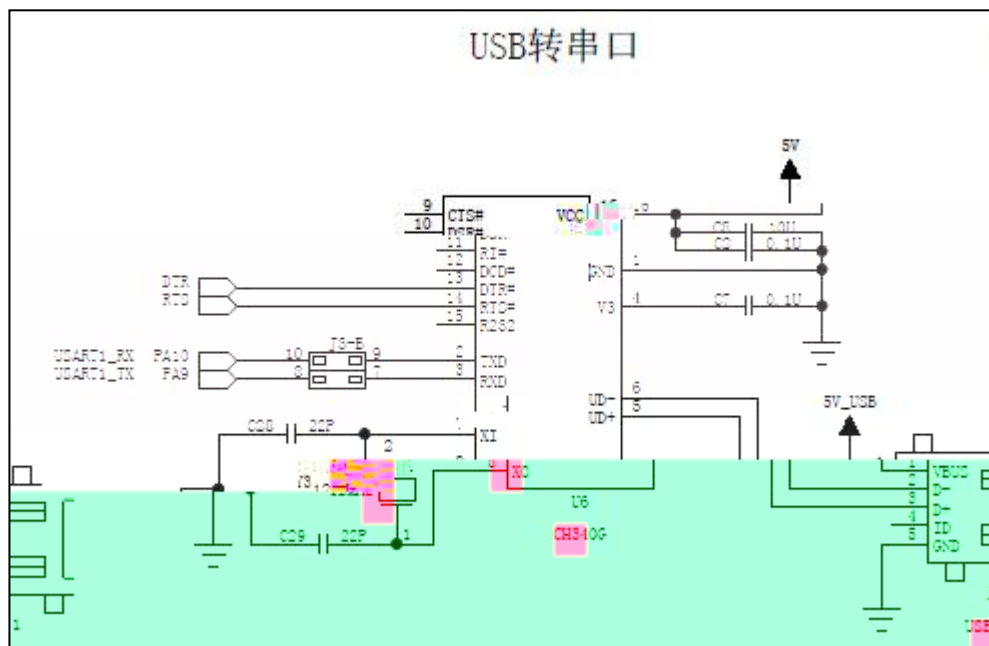


2

3

-

1



2

3

-



1

1

/ /

.0

/ /

( )

/

1 0

|    |  |    |   |  |   |  |
|----|--|----|---|--|---|--|
|    |  |    |   |  |   |  |
|    |  |    |   |  |   |  |
| 20 |  | 10 |   |  | 0 |  |
|    |  |    | 6 |  |   |  |
|    |  |    | 7 |  |   |  |
|    |  | 10 | 8 |  |   |  |
|    |  |    | 9 |  |   |  |

|    |  |    |    |  |
|----|--|----|----|--|
|    |  |    | 10 |  |
| 30 |  |    |    |  |
|    |  |    |    |  |
|    |  | 10 |    |  |
|    |  | 10 |    |  |
| 50 |  |    |    |  |
|    |  | 10 |    |  |
|    |  |    |    |  |
|    |  |    |    |  |

5

18

1  
2

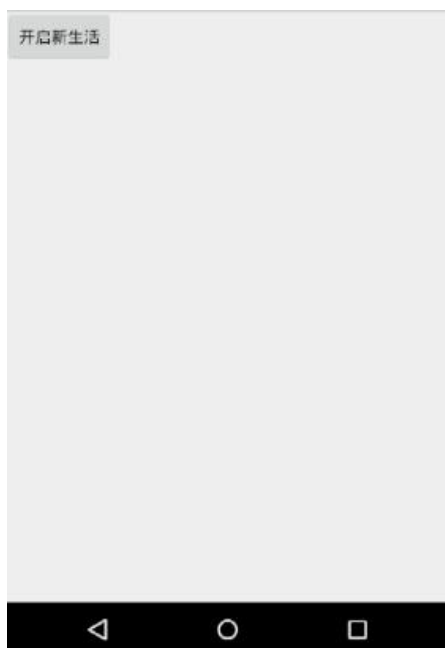
20sp

RGB #FF0000



2

1

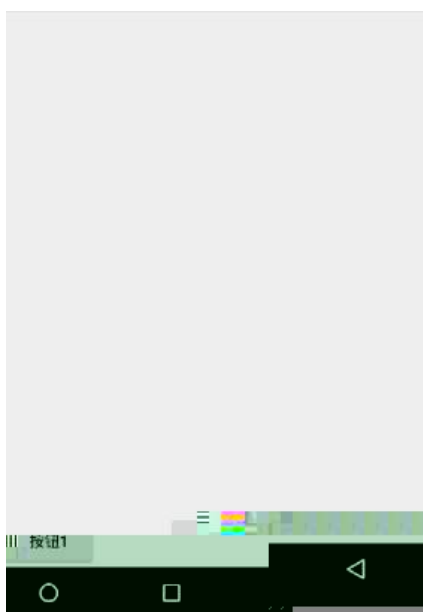


1

2

1

2



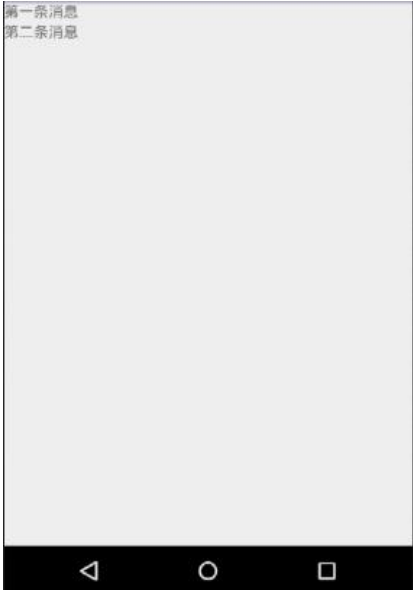
3

:

TextView

2

1



1

2



2

1

2





1

1 1 1 1

2

1

2

1 1 1 1



1

2

1



1

2

1

2



1

2

1

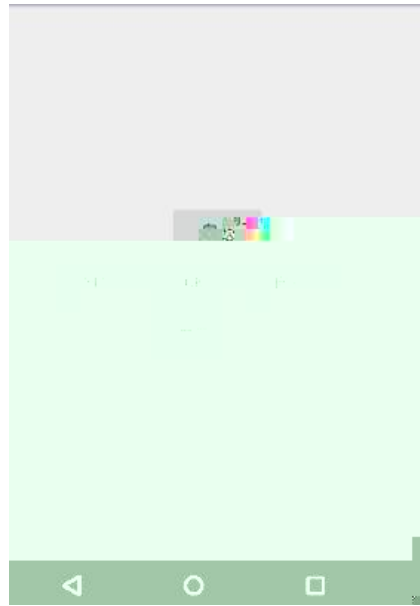
2



1

2

1



1

LED

2

1

2

3

TextView LED



1

LED

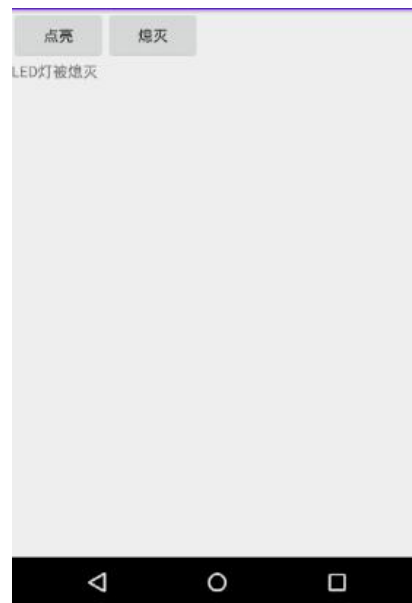
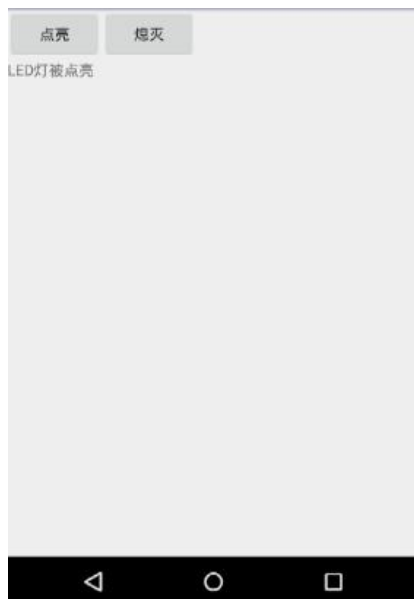
2

1

2

3

TextView LED



1

LED

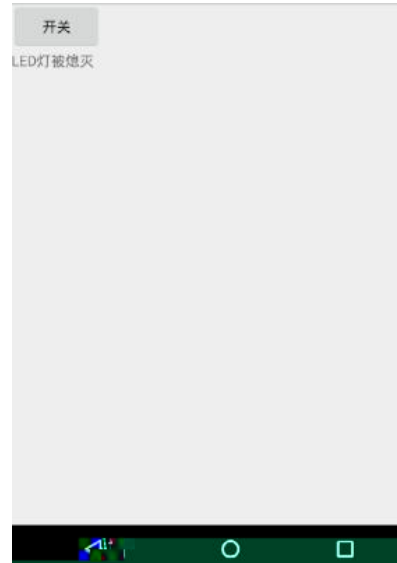
2

1

2

3

TextView LED





1

LED

2

1

2

3

4

TextVi ew



1

LED

2

1

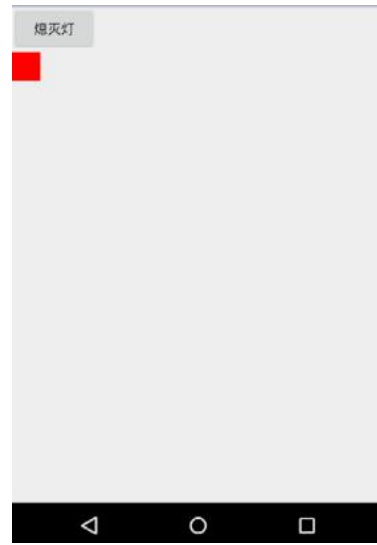
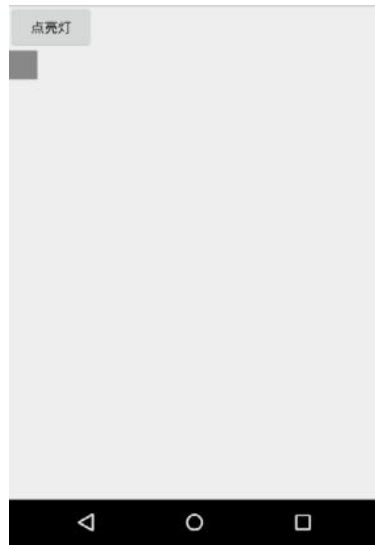
2

3

4

ImageView

30dp\*30dp

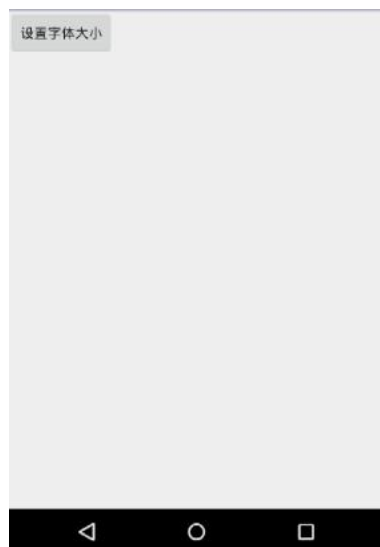


1

2

1

2



1

2

1

2

